

Rn3 Inline Radon Fan

Item #: 89053

Variant : 120V 1~ 60Hz



Description

- Use for **Medium Suction, Medium Airflow** applications
- UV resistant, UL Listed durable plastic
- UL Listed for use in commercial applications
- Watertight electrical terminal box
- Totally enclosed for protection
- Automatic reset thermal overload protection
- Zero leakage

Active radon mitigation systems employ specialized fans to exhaust radioactive radon gas from underneath building structures via a sealed pipe system. These systems are designed to remove radon gas before it migrates into the building envelope.

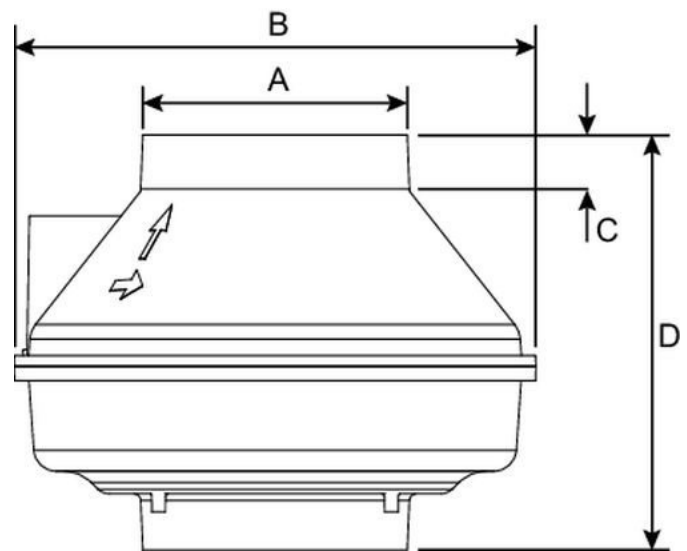
The **Rn3** models is an excellent choice for systems with elevated radon levels, poor communication, multiple suction...

[Find more details in our online catalogue](#)

Technical parameters

Nominal data	
Voltage (nominal)	120 V
Frequency	60 Hz
Phase(s)	1~
Input power	141 W
Input current	1.2 A
Impeller speed	2 782 r.p.m.
Air flow	max 178 L/s
Protection/Classification	
Enclosure class, motor	IP44
Insulation class	B
Dimensions and weights	
Duct dimension; Circular, inlet	6 in.
Duct dimension; Circular, outlet	6 in.
Weight	6.3 lb
Optional	
Duct connection type	Circular

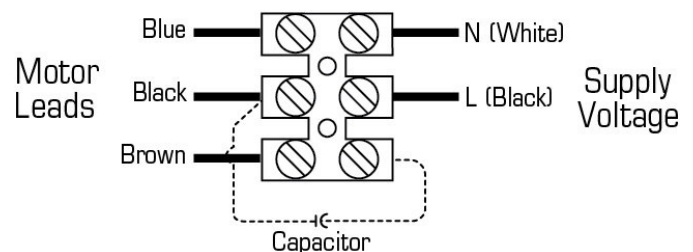
Dimensions



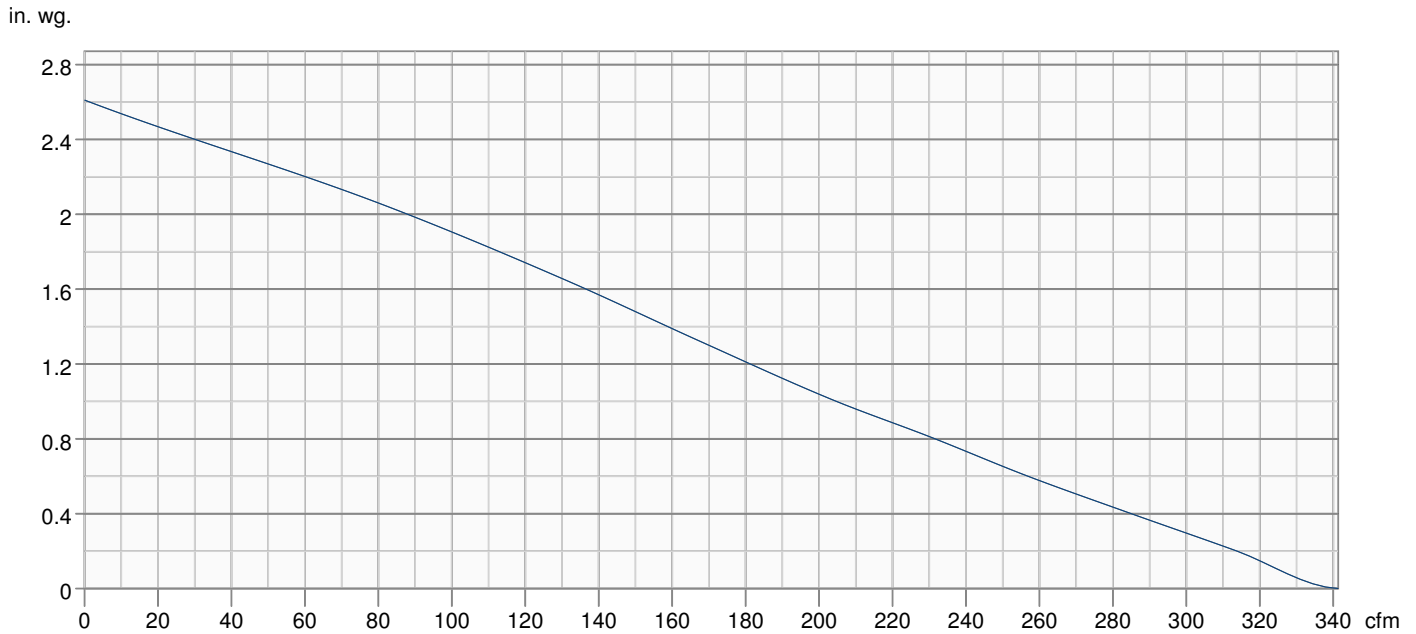
Model	A	B	C	D
Rn1	4 15/32 (114)	10 (254)	1 1/4 (32)	9 1/4 (235)
Rn2	4 15/32 (114)	10 (254)	1 1/4 (32)	9 1/4 (235)
Rn3	5 7/8 (149)	11 1/2 (292)	1 1/4 (32)	9 1/4 (235)

Dimensions in inches (mm).

Wiring



Performance curve



Hydraulic data

Required air flow	-
Required static pressure	-
Working air flow	-
Working static pressure	-
Air density	0.075 lb/ft³
Power	-
Fan control - RPM	-
Current	-
Airflow efficiency	-
Control voltage	-
Supply voltage	-

Accessories

FRIK 6x3 Rn Installation Kit (95906)
LDVI® 6x3 Bulk Pack, 40 pcs (95910)

FRIK 6x4 Rn Installation Kit (95907)
LDVI® 6x4 Bulk Pack, 40 pcs (95911)

Documents

Rn Series Brochure.pdf
Rn3_Sales_Sheet.pdf
484840 Rn OIPM EN FR .pdf